

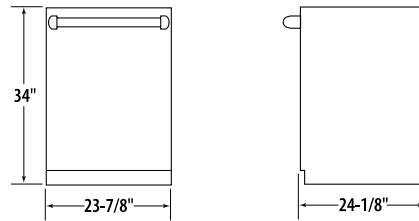
24" Outdoor Refrigerator Specs

Power Requirements:

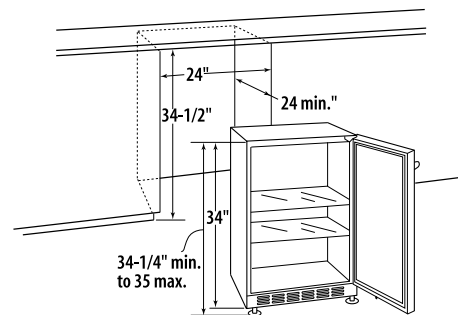
- 120V 60Hz
- 1800 watt
- 3 wire
- 15 amp circuit

MODEL NUMBER	UR624
UL APPROVED	•
INTERIOR SPACE	6.1 cu ft
AVAILABLE FREESTANDING OR BUILT-IN	•
AUTO DEFROST	•

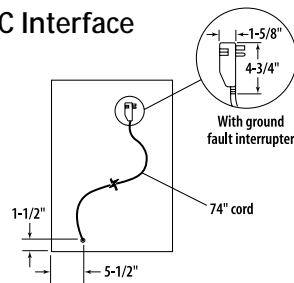
Outdoor Refrigerator Dimensions



Outdoor Refrigerator Island Preparation



AC Interface



Because of continuing product improvement these specifications are subject to change without notice.



PERFECT HEAT.

For more information on our complete line of residential kitchen appliances or to find out more about our outdoor product line, please call 1.800.433.8466 or visit www.dcsappliances.com

©2004 DCS 5800 Skylab Road, Huntington Beach, CA 92647