

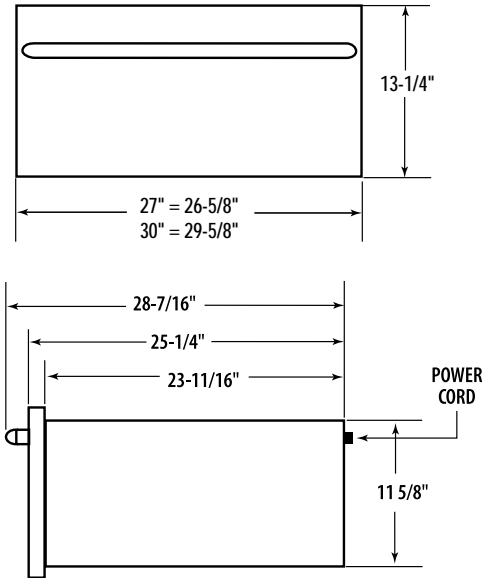
Outdoor Warming Drawer Specs

Gas Requirements:

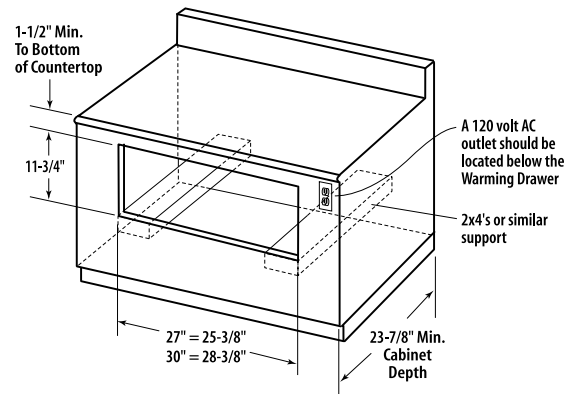
- 120V 60Hz
- 3 wire
- 15 amp circuit

MODEL NUMBER	WD-27-SS-OD
DRAWER SPACE	1.6 Cubic Feet
REMOVABLE SHELF/SERVING TRAY	•
TYPE 304 STAINLESS STEEL	•

Warming Drawer Dimensions



Warming Drawer Island Preparation



Because of continuing product improvement these specifications are subject to change without notice.



For more information on our complete line of residential kitchen appliances or to find out more about our outdoor product line, please call 1.800.433.8466 or visit www.dcsappliances.com

©2004 DCS 5800 SkyLab Road, Huntington Beach, CA 92647