

## *Del Rey Comfort Heater*



Del Rey Comfort Heater DRH48N

### **Standard Features**

- **Infrared mounted patio heater:**  
Mounts easily to eaves or patio awnings; extensions come standard.
- **58,000 BTUs/hr:**  
High heat output that prolongs the outdoor seasons.
- **Fueled by natural gas:**  
Easily hooks up to a natural gas line.
- **Weatherproof:**  
Quality stainless steel construction provides a rustproof product.
- **Size: 48" W x 10" D**

*Don't let chilly weather prevent outdoor dining. DCS offers an infrared mounted patio heater that hooks up to a natural gas line. It is constructed of quality stainless steel that provides a weatherproof exterior. This heater is easily controlled with a wall-mount switch and comes standard with extensions, mounting kit, and transformer. The Del Rey emits 58,000 BTUs of heat from eaves or awnings to provide a comfortable atmosphere.*



PERFECT HEAT.

# Built-in Patio Heater Specs

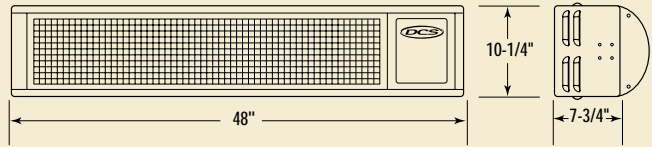
## Gas Requirements:

NATURAL

- Max. Pressure: 1/2 psig
- Min. Pressure: 6" W.C.
- Manifold Pressure: 5" W.C.
- Internal 5" W.C. regulator

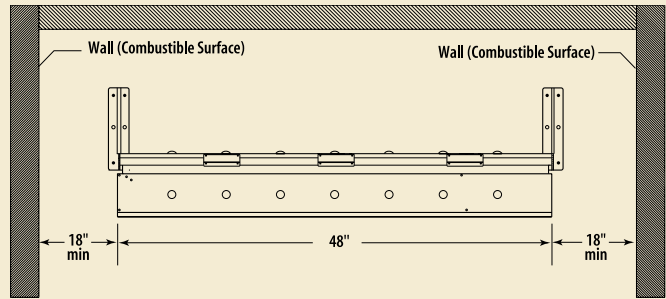
MODEL NUMBER	DCS-DRH-48N
HEATER Btus	58,000
EXTENSION MOUNTING KIT	•
TYPE 304 STAINLESS STEEL	•

## Heater Dimensions

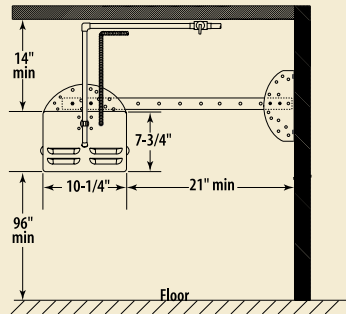


## Minimum Distance to Combustible Material

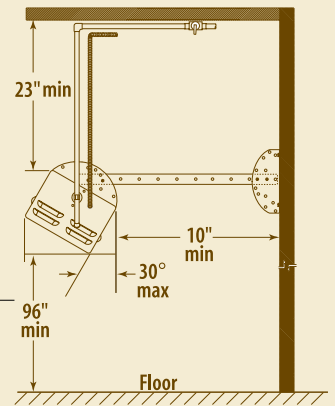
0° & 30° installation to combustible (front view)



0° installation to combustible (side view)



30° installation to combustible (side view)



Because of continuing product improvement these specifications are subject to change without notice.



PERFECT HEAT.

For more information on our complete line of residential kitchen appliances or to find out more about our outdoor product line, please call 1.800.433.8466 or visit [www.dcsappliances.com](http://www.dcsappliances.com)

©2004 DCS 5800 SkyLab Road, Huntington Beach, CA 92647